



RAJHANS[®]

ISO 9001 : 2015 COMPANY



www.rajhanstechnocraft.com



➔ Profile

Rajhans Technocraft (An ISO 9001:2015 Certified Company) started its business in the year 2015 as a partnership firm in the Industry. In the short span of time, we have successfully achieved an eminent position in the Industry. We providing wide range of Telescopic Channel, Auto Hinges, Gas Spring, Tendon Box Drawer System, Kitchen Accessories, Aluminum Profile, Multipurpose Lock, Tubular Lock with **RAJHANS®** brand. The **RAJHANS®** has captured the hearts of the consumers across the nation and based on popular demand it has been slowly adding new products and services to its portfolio. Our product range manufactured using high grade raw material such as Cold Rolled Steel (CRC) and Stainless Steel, and are widely appreciated for application specific design, durability and tensile strength. We use excellent quality basic materials and cutting edge technology to manufacture these products. Smooth surface, metal finish, cost effective rates and quality assurance are the few of the factors that make our customers love our offered products.

Our products are acknowledged for the following features finest finish, durability, anti-corrosion, long life, reliable etc. Our wide range helps the clients to choose the best product, in quality and design. Since our foundations, we are engaged in offering best quality handles to our customers and emerged as best option in the market to our patrons. We are working under the leadership of **Mr. Bhavin Sorathia** and **Mr. Nirav Sorathia**.

➔ Quality

Rajhans Technocraft take every possible measure to maintain the highest quality standards. We use high quality raw material in the manufacturing of the products as per ISO standards. We use excellent quality basic materials and cutting edge technology to manufacture these products. Smooth surface, metal finish, cost effective rates and quality assurance are the few of the factors that make our customers love our offered products. Our quality controllers examine the offered range against predefined parameters of quality to offer a defect-free range and to achieve maximum client satisfaction. Quality analysts closely monitor the range, and use advance testing facilities to ensure all products are completely defect free.

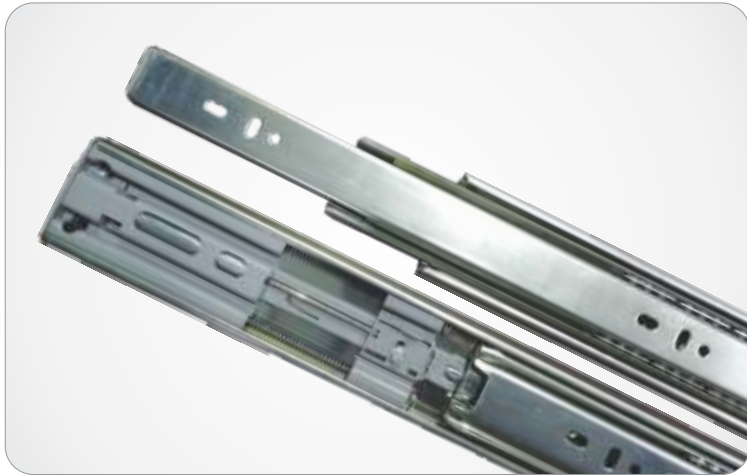
RAW MATERIAL INSPECTION :

All materials are inspection for mechanical and chemical properties by verifying their certificates as per established norms.





➔ **SOFT CLOSE**



FEATURES:

- Available length 12" to 24".
- Available in Zinc / Black Finish.
- Material harden cold rolled steel.
- Smooth & Silent Locking system.
- Loading capacity up to 40 kg/pair.
- Suitable for all kind of Furniture.

Packing :

- 15 Sets / box.



◆ **PREMIUM**



FEATURES:

- Available length 8" to 36".
- Available in Zinc & Black finish.
- Material harden cold rolled steel.
- Loading capacity up to 45 kg/pair.
- Suitable for all kind of Furniture.

Packing :

- 15 Sets / box.

◆ **ECONOMY**



FEATURES:

- Available length 10" to 24".
- Available in Zinc & Black finish.
- Material harden cold rolled steel.
- Loading capacity up to 35 kg/pair.



- Suitable for all kind of Furniture.

Packing :

- 15 Sets / box.

◆ **STAINLESS STEEL**



Future :

- Available length 10" to 22".
- Material Stainless Steel.
- Rust Free SS cage & SS Metal Balls.
- Loading capacity up to 40 kg/pair.
- Suitable for all kind of Furniture.

Packing :

- 15 Sets / box.



◆ REGULAR



FEATURES :

- Concealed hinges for easy installation.
- Wide opening angle for easy storage in cabinet.
- Nickel plated for corrosion resistance.
- Maximum shutter size 34" x 22" for two hinges.
- Suitable for cabinet door from 15mm to 22mm thickness.
- Shutter cavity 35 mm diameter, 11.5 mm deep.

Available In

- 1) Full Overlay (0 deg)
- 2) Half Overlay (8 deg)
- 3) Insert(15 deg)

Packing : 100 Sets / Box

◆ S.S. REGULAR HINGES



Future :

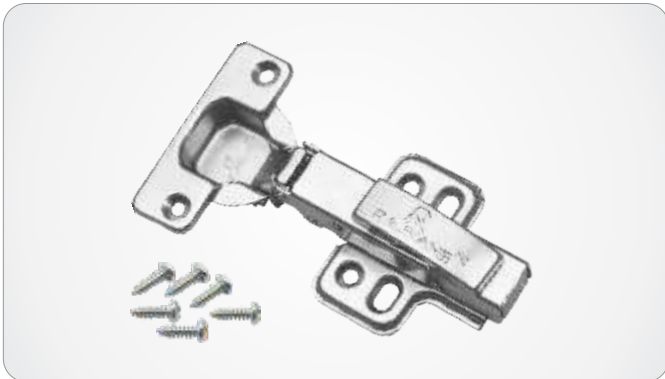
- Clip on mechanism for easy installation for removal of shutter.
- Concealed hinges for easy installation.
- Wide opening angle for easy storage in cabinet.
- Nickel plated for corrosion resistance.
- Maximum shutter size 34" x 22" for two hinges.
- Suitable for cabinet door from 15mm to 22mm thickness.
- Shutter cavity 35 mm diameter, 11.5 mm deep.

Available In

- 1) Full Overlay (0 deg)
- 2) Half Overlay (8 deg)
- 3) Insert(15 deg)

Packing : 50 Sets / Box

◆ REGULAR SOFT CLOSE



FEATURES:

- Smooth closing of shutter.
- Clip on mechanism for easy installation for removal of shutter.
- Wide opening angle for easy storage in cabinet.
- Nickel plated for corrosion resistance.
- Maximum shutter size 34" x 22" for two hinges.
- Suitable for cabinet door from 15mm to 22mm thickness.
- Shutter cavity 35 mm diameter, 11.5 mm deep .

Available In

- 1) Full Overlay (0 deg)
- 2) Half Overlay (8 deg)
- 3) Insert(15 deg)

Packing : 100 Sets / Box

◆ PREMIUM SOFT CLOSE



FEATURES :

- Specially design cylinder with brass color.
- wide plate hinges for strong holding of shutter.
- Clip on mechanism for easy installation for removal of shutter.
- Wide opening angle for easy storage in cabinet.
- Nickel plated for corrosion resistance.
- Maximum shutter size 34" x 22" for two hinges.
- Suitable for cabinet door from 15mm to 22mm thickness.
- Shutter cavity 35 mm diameter, 11.5 mm deep.

Available in

- 1) Full Overlay (0 deg)
- 2) Half Overlay (8 deg)
- 3) Insert(15 deg)

Packing : 50 Sets / Box



◆ S.S. SOFT CLOSE



FEATURES:

- Manufacture using Stainless Steel material.
- Specially designed cylinder for Smooth closing of shutter.
- Clip on mechanism for easy installation for removal of shutter.
- Wide opening angle for easy storage in cabinet.
- Maximum shutter size 34" x 22" for two hinges.
- Suitable for cabinet door from 15mm to 22mm thickness.
- Shutter cavity 35 mm diameter, 11.5 mm deep.

Available in

- 1) Full Overlay (0 deg)
- 2) Half Overlay (8 deg)
- 3) Insert(15 deg)

Packing : 50 Sets / Box

◆ 3D SOFT CLOSE



FEATURES :

- Mounting Plate up & down adjustable.
- 3D adjustment allows horizontal (side) & vertical(height) adjustment along with distance between cabinet shutter & side wall without uninstalling shutter.
- Specially designed cylinder for Smooth closing of shutter.
- Clip on mechanism for easy installation for removal of shutter.
- Wide opening angle for easy storage in cabinet.
- Maximum shutter size 34" x 22" for two hinges.
- Suitable for cabinet door from 15mm to 22mm thickness.
- Shutter cavity 35 mm diameter, 11.5 mm deep.

Available in

- 1) Full Overlay (0 deg)
- 2) Half Overlay (8 deg)
- 3) Insert(15 deg)

Packing : 50 Sets / Box

GAS SPRING

◆ 10" REGULAR



FEATURES:

- Easy to open shutter.
- Easy to install.

Color : Sliver

Available Capacity

- 5kg, 10kg, 15kg, 20kg

Packing : 50 Sets / Carton

◆ 12" REGULAR



FEATURES :

- Easy to open shutter.
- Easy to install.

Color : Black

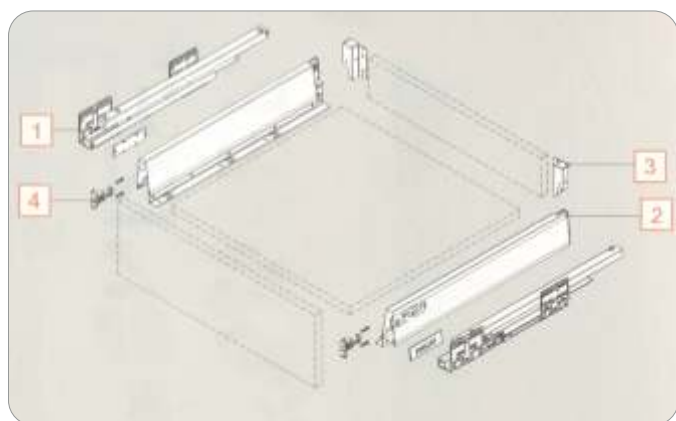
Available Capacity

- 10kg, 15kg, 20kg, 25kg, 30kg

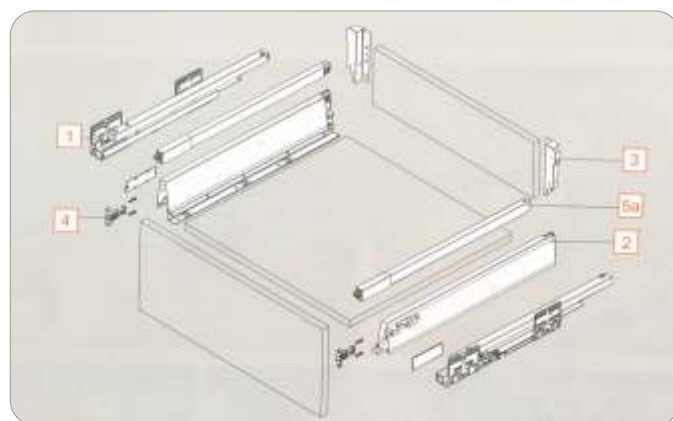
Packing : 50 Sets / Carton



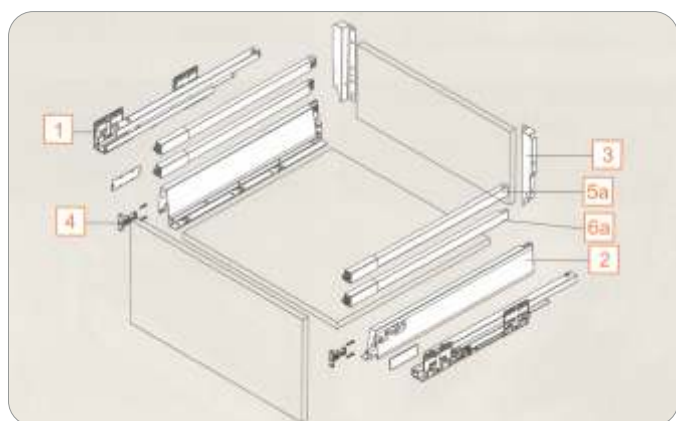
◆ REGULAR DRAWER BOX



➤ Height 68 mm



➤ Height 151mm (Single Gallery)



➤ Height 183mm (Double Gallery)

REQUIRED COMPONENTS:

- 1) Concealed Slider.
- 2) Side Panels.
- 3) Back Bracket.
- 4) Front Bracket.
- 5) Top Gallery Square.
- 6) Middle Gallery Square.

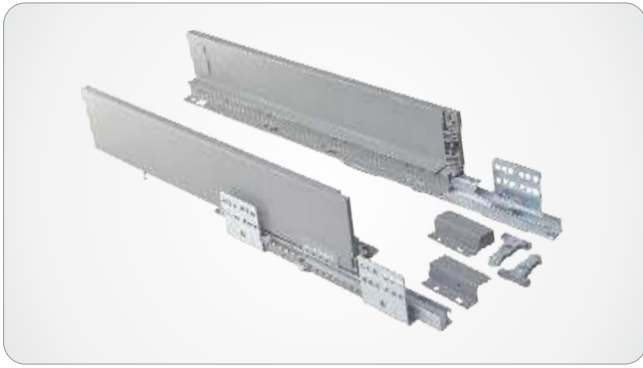
FEATURES

- Standard Lengths : 450 / 500/ 550 mm.
- Full Extension.
- Integrated 3D front adjustment.
- Easy, Quick installation and precise alignment.
- Silent & Ultra smooth soft closing runner.





◆ SLIM DRAWER BOX



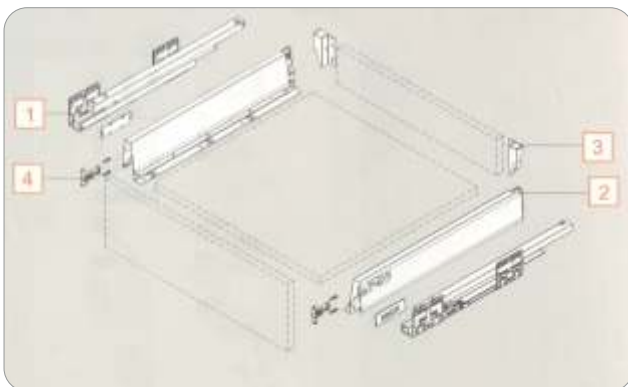
FEATURES:

- Standard Lengths : 500/550 mm.
- Full Extension.
- Integrated 3D front adjustment.
- Easy, Quick installation and precise alignment.
- Silent & Ultra smooth soft closing runner.

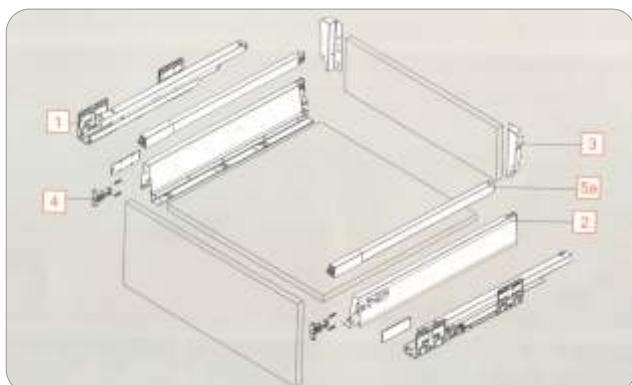
Available Size

- Height 84mm
- Height 116mm
- Height 167 mm

◆ S.S. 304 DRAWER BOX



➤ Height 68 mm



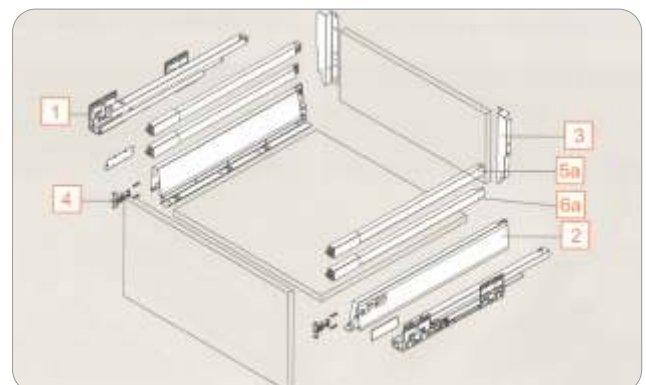
➤ Height 151mm (Single Gallery)

REQUIRED COMPONENTS:

- 1) Concealed Slider.
- 2) Side Panels.
- 3) Back Bracket.
- 4) Front Bracket.
- 5) Top Gallery Square.
- 6) Middle Gallery Square.

FEATURES

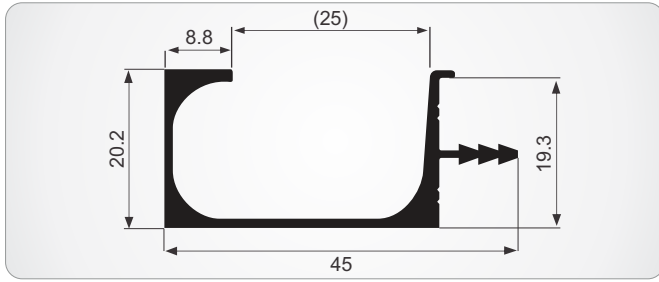
- Standard Lengths : 500/ 550 mm.
- Full Extension.
- Integrated 3D front adjustment.
- Easy, Quick installation and precise alignment.
- Silent & Ultra smooth soft closing runner.



➤ Height 183mm (Double Gallery)



◆ CODE : 9025

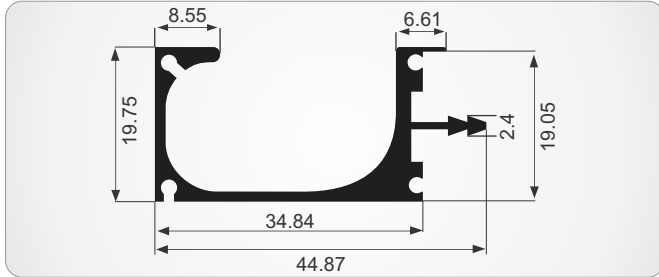


➤ G-Handle Profile

Available Finish

- Anodized
- CP Brass
- SS Brass
- Mirror

◆ CODE : 9001

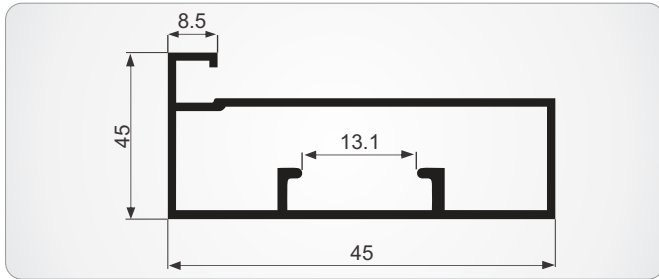


➤ G-Handle with End Cap

Available Finish

- Anodized
- CP Brass
- SS Brass
- Mirror

◆ CODE : 7001

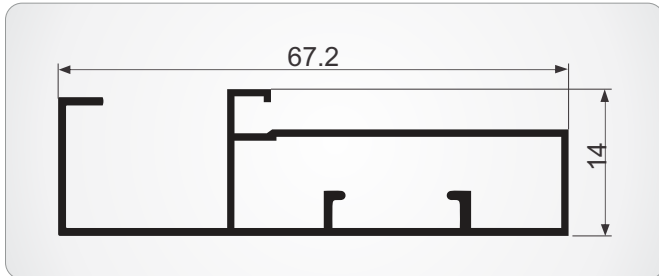


➤ Frame Profile (With Plastic Gasket)

Available Finish

- Anodized
- CP Brass
- SS Brass
- Mirror

◆ CODE : 7002

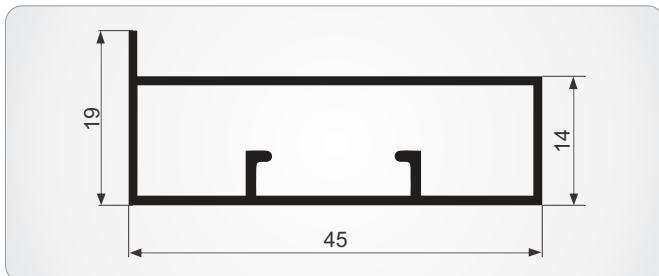


➤ Frame with Handle Profile (With Plastic Gasket)

Available Finish

- Anodized
- CP Brass
- SS Brass
- Mirror

◆ CODE : 7059

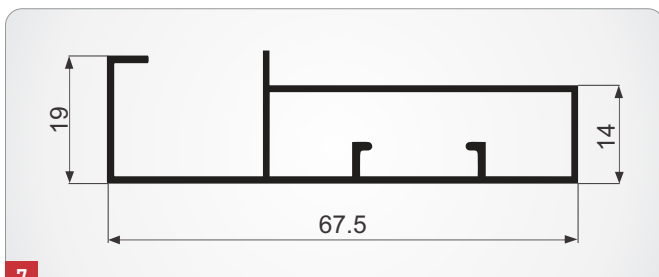


➤ Frame Less Profile

Available Finish

- Anodized

◆ CODE : 7058



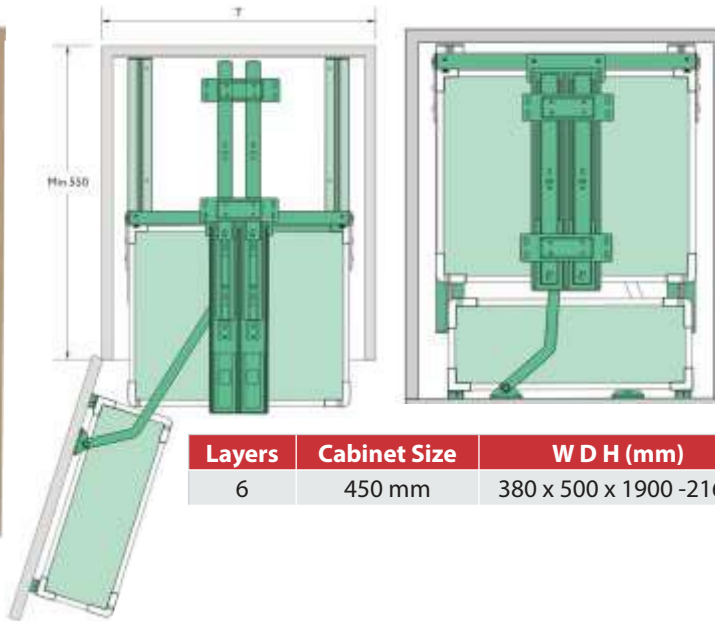
➤ Frame Less with Handle

Available Finish

- Anodized



◆ TALL PANTRY UNIT



> SS & Wooden Base



> Glass Line

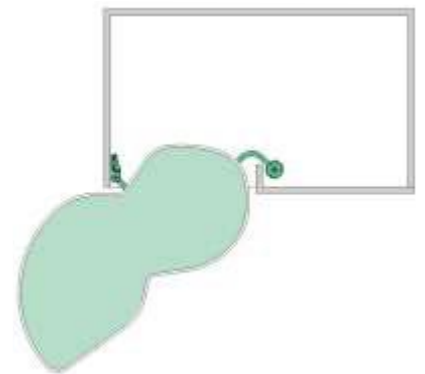
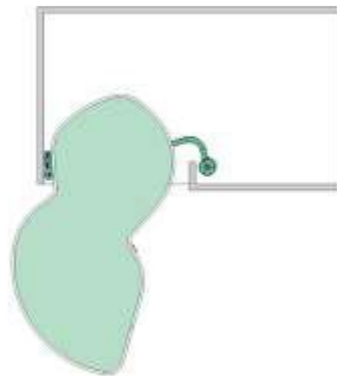
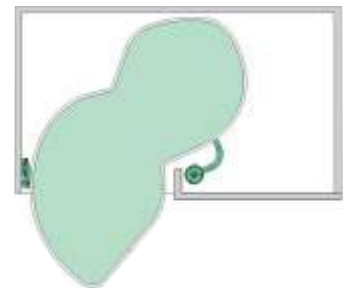
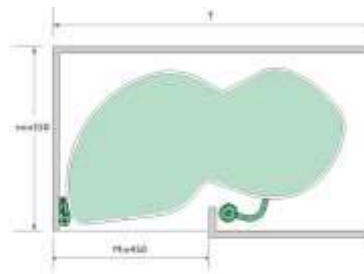
FEATURES

- More choice of basket style. offer customers many choice of variants featuring exclusive design.
- Soft-close design available.
- Max 5kgs for each big basket and 3kgs for small basket.
- The height of frame can be adjusted, the distance between basket can be changed.

Available finish

- SS Basket
- Glass Line Basket

◆ SWING CORNER



- Anti-slip finish plus.
- Two style of tray-line be chose.
- The pole height, tray's Qty and tray distance could be adjusted.
- Max 10kgs for each swing tray.

Available finish

- Chrome Finish
- Steel Grey

Direction	Layers	Cabinet Size	W D H (mm)
Left	2	900 mm	864 x 495 x 600 - 750
Right	2	900 mm	864 x 495 x 600 - 750



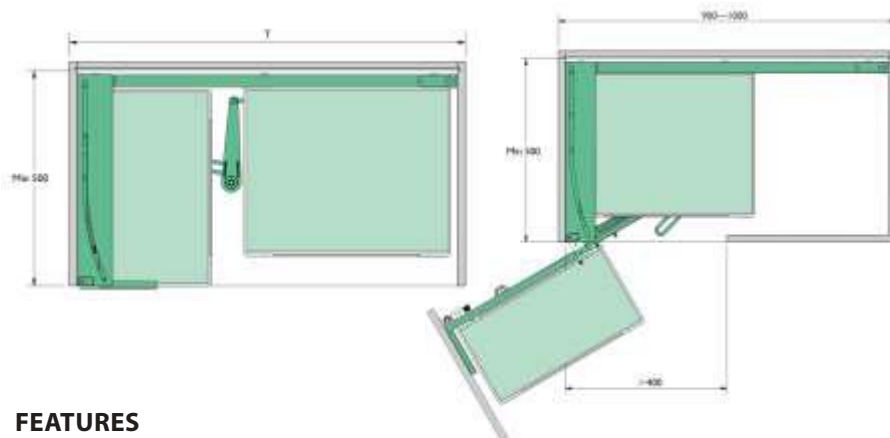
◆ MAGIC CORNER



> SS & Wooden Base



> Glass Line



FEATURES

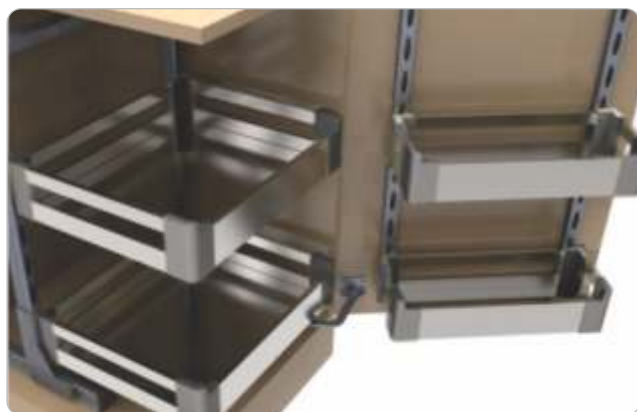
- Anti-slip finish plus.
- More choice of basket style. offer customers many choice of variants featuring exclusive design.
- Soft-close design be flexibility and easy-use for kitchen storage.
- Max 6kgs for each big basket and 5kgs for small basket.

Available Finish

- SS Basket
- Glass Line Basket

Direction	Cabinet Size	W D H (mm)
Left	900 - 1000 mm	860 x 960 x 480 - 560
Right	900 - 1000 mm	860 x 960 x 480 x 560

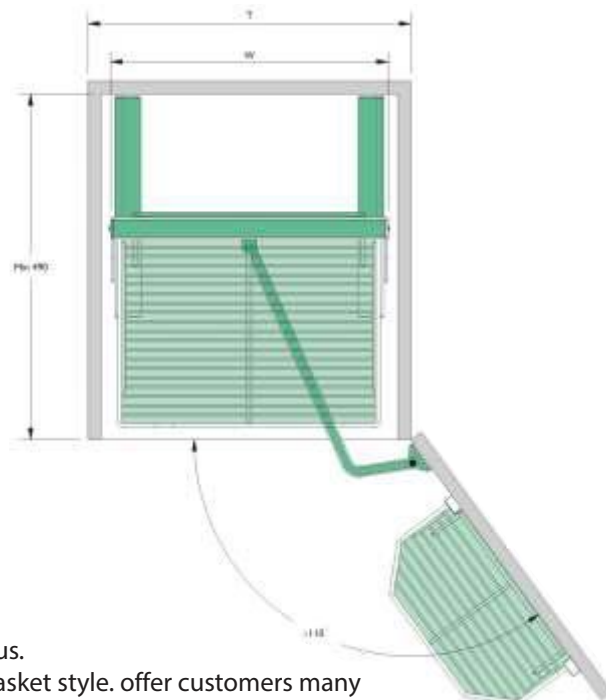
◆ PANTRY BASKET



> SS & Wooden Base



> Glass Line



FEATURES :

- Anti-slip finish plus.
- More choice of basket style. offer customers many choice of variants featuring exclusive design.
- Fit for left-opening of right-opening.
- Soft-close design available.
- The height of frame can be adjusted, the distance between basket can be changed.
- Max 5kgs for each big basket and 3kgs for small basket.

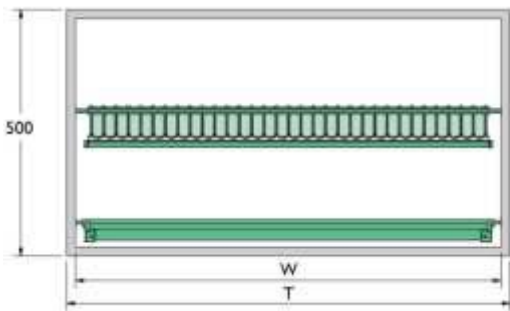
Available Finish

- SS Basket
- Glass Line Basket

Cabinet Size	W D H (mm)
450 mm	380x500x1900-2160



◆ SS DISH RACK



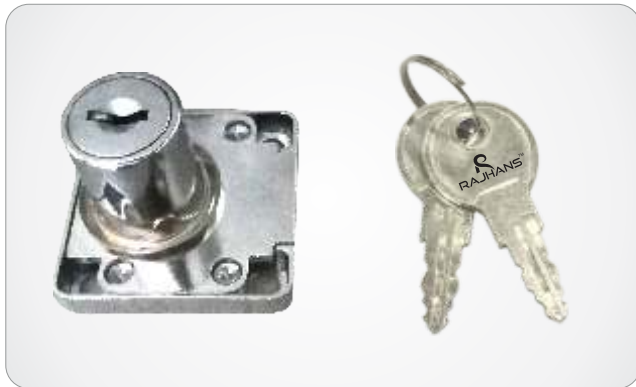
FEATURES :

- SS Designed for a special wet coastal areas with high quality anit-rusty functions.

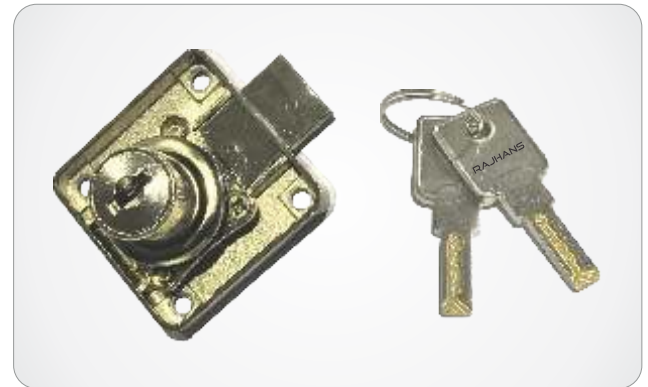
Cabinet Size	W D H (mm)
600 mm	565x280x(100+45)
900 mm	865x280x(100+45)

LOCK SERIES

◆ MULTIPURPOSE LOCK



➤ Regular



➤ Premium

With Brass Ultra Key

◆ TUBULAR LOCK



Available In

- S.S Finish
- Antique Brass Finish
- Bathroom Key Less



Survey No. 166, Plot No. 93-94-95, Hari Om Industrial Area,
Ahmedabad Gondal Bypass Circle, Kothariya, Rajkot (Guj.) - 360 004, INDIA

☎ +91 95585 89487, +91 97148 88887

✉ info@rajhanstechnocraft.com

🌐 www.rajhanstechnocraft.com